

Department of Biochemical Engineering and Biotechnology
Faculty Board Meeting (Special)

Mar 8, 2018

A special Departmental Faculty Board Meeting was held on March 8, 2018, at 3 PM in the Departmental Committee Room (I-230) for discussing space distribution in 99C1. The following members were present:

1.	Prof. Atul Narang	Chairman
2.	Prof. Saroj Mishra	Member
3.	Prof. A.K. Srivastava	Member
4.	Prof. Sunil Nath	Member
5.	Prof. Prashant Mishra	Member
6.	Prof. Ritu Kulshrestha	Member
7.	Prof. Preeti Srivastava	Member
8.	Prof. Ravikrishnan Elangovan	Member
9.	Prof. Z. Ahammad	Member
10.	Prof. Ashish Misra	Convener

The HOD presented a detailed layout plan for the labs, offices and other departmental space in 99C1 (Slides in **annexure 1**). The board unanimously agreed to the proposed space distribution. The board also asked individual faculty to provide the detailed infrastructure requirement for each lab for forwarding to the architect (**Annexure 2**).

The faculty members were requested to start thinking about the specific office or lab they wished to occupy. However, allocation of specific offices and labs would be done in a subsequent meeting.

Ashish Misra
Convener, DFB

Distribution

All DBEB faculty by email

Cc: Office file

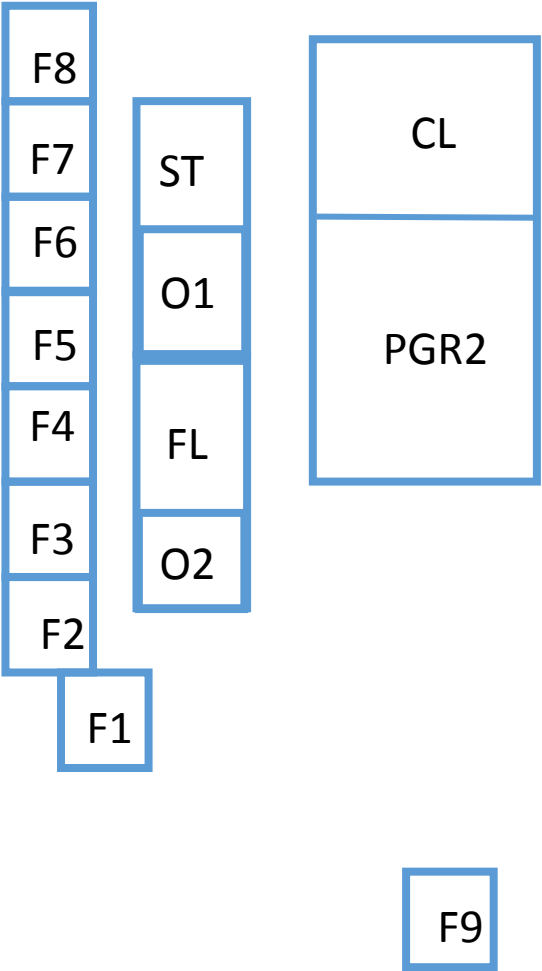
Annexure 1

99C1 Allocation (16 June 2017)

S. No.	Floor	Wing	Labs		Faculty Rooms & Others		Allocation to	Remarks
			Nos.	Area (sqm)	Nos.	Area (sqm)		
1	Ground floor	Wing 1	9	975	2	30	Part of 99C2 - To be allotted separately	
		Wing 2	5	460	0	0	Common space	To be planned by Bio-X Cluster committee + Bio-X cluster offices
		Wing 3	8	903	2	30		
2	First Floor	Wing 1	5	977	2	30	Part of 99C2 - To be allotted separately	
		Wing 2	5	472	3	57	DBEB (1468 sq m)	Can keep some labs such that total area doesn't exceed 20% of current space to the Department
		Wing 3	5	909	2	30		
3	Second Floor	Wing 1	9	970	2	30	Part of 99C2 - To be allotted separately	
		Wing 2	5	471	6	93	DBEB (1499 sq m)	Can keep some labs such that total area doesn't exceed 20% of current space to the Department
		Wing 3	7	905	2	30		
4	Third Floor	Wing 1	9	967	2	30	Part of 99C2 - To be allotted separately	
		Wing 2	5	473	9	129	KSBS (1528 sq m)	To release all of present space except justified because of recent major expenditure to setup the facility
		Wing 3	8	896	2	30		
5	Fourth Floor	Wing 1	9	966	2	30	Part of 99C2 - To be allotted separately	
		Wing 2	5	472	9	129	CBME (1527 sq m)	To release all of present space
		Wing 3	8	896	2	30		
6	Fifth Floor	Wing 1	4	352	11	242	Part of 99C2 - To be allotted separately	
		Wing 2	5	472	1	27	CoEBT (393 sq m)	Only 4 out of 5 labs allotted - temporary allocation for the period of CoE + 6 months
		Wing 3	8	896	2	30	Common space	To be planned by Bio-X Cluster committee
7	Sixth Floor (building height restriction -	Wing 1	0	0	4	72	Part of 99C2 - To be allotted separately	
		Wing 2	2	197	8	167	Common space	To be planned by Bio-X Cluster committee + Visitors offices
		Wing 3	0	0	17	220	Shared faculty offices	For all participating faculty (overflow

S.No	Item	# of units	Space per unit (m ²)	Space (m ²)
1	Labs (1 st and 2 nd F)	20	80	1600
2	Faculty offices (1 st and 2 nd F)	21	14	294
3	HOD office (1 st F)	1	20	20
4	Admin office (1 st F)	1	20	20
5	Store office (1 st F)	1	27	27
6	Faculty lounge + pantry (1 st F)	1	46	46
7	Instrumentation lab (1 st F)	1	202	202
8	Computer Lab (1 st F)	1	79	79
9	Utility room (Autoclave, fume hood, water/UPS)	2	54	108
10	Workshop (Electrical, electronic, mechanical) (1 st F)	1	27	27
11	PG Room (MSR, PhD, postdoc, research staff) (both F)	2	112	224
12	Staff room (1 st F)	1	50	50
13	Meeting rooms (2 nd F)	2	25	50
	Total			2747

First Floor Wing 2



F – Faculty Office 14 m² each

CL - Computation Lab 79 m²

PGR - PG Room 112 m²

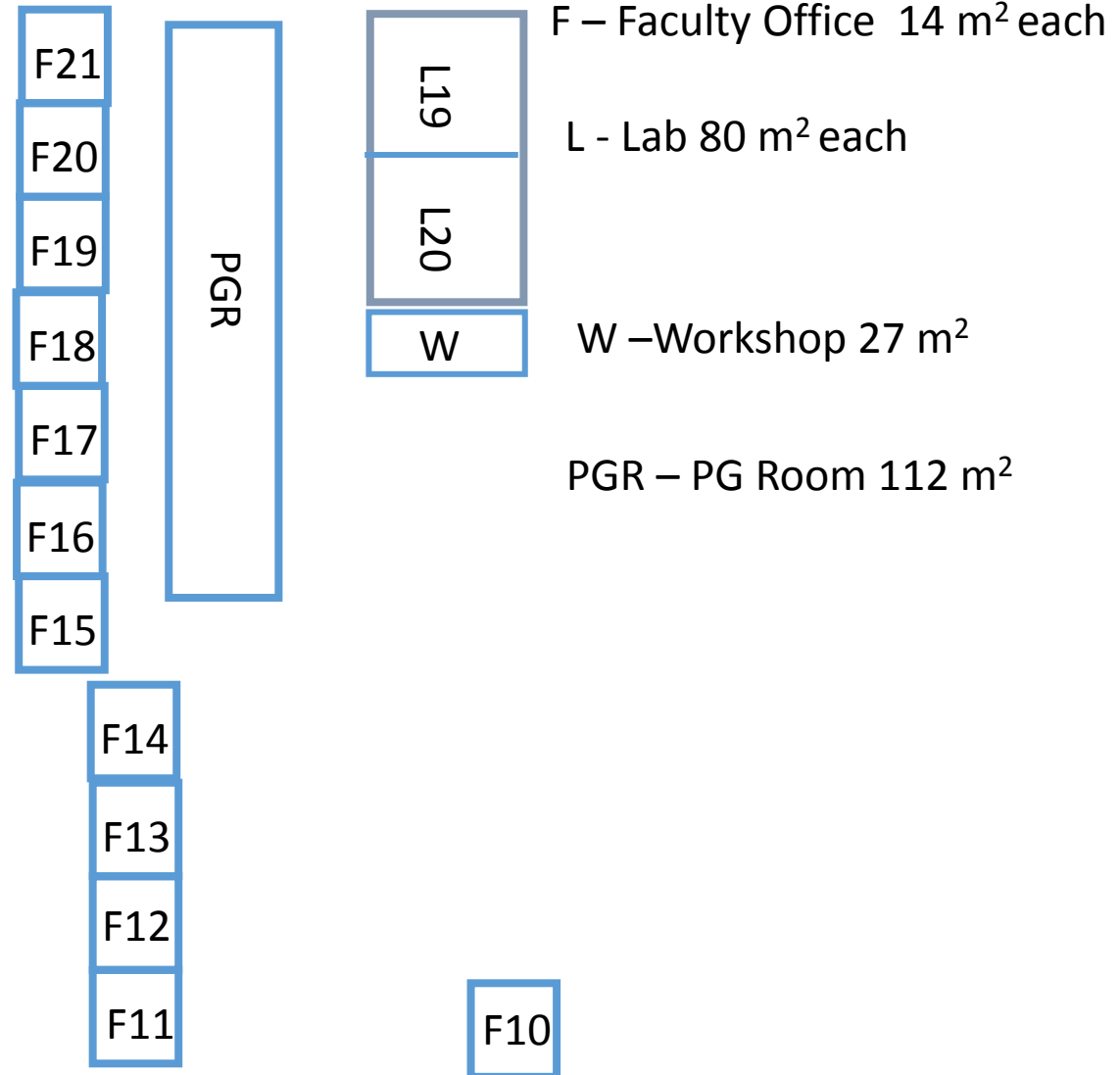
ST- Store 27 m²

O1 - Admin office 20 m²

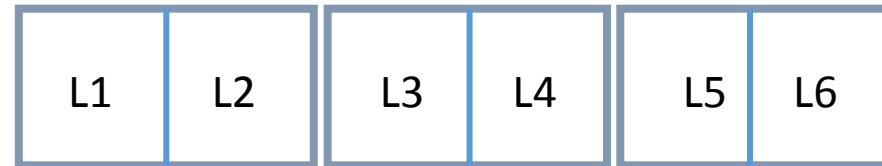
FL - Faculty Lounge 46 m²

O2 - HOD office 20 m²

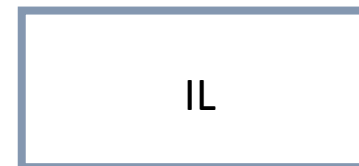
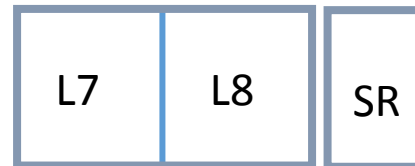
Second Floor Wing 2



First Floor Wing 3



L - Lab 80 m² each

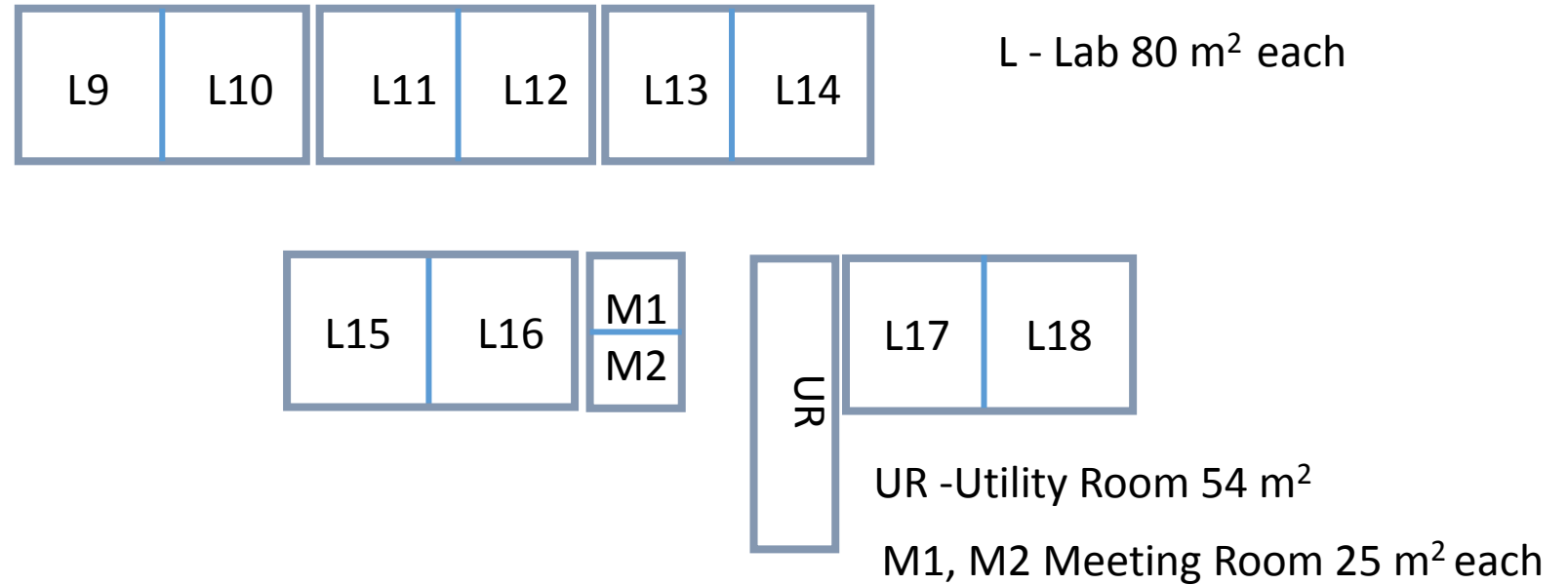


SR – Staff Room 50 m²

IL - Instrumentation Lab 202 m²

UR - Utility Room 54 m²

Second Floor Wing 3



Annexure 2

Details of Services Required in the Labs in Engineering Block 99B & 99C, IIT DELHI.

(To be furnish by Concerned Department for making necessary Provisions in Labs)

Name of Lab _____

Block _____

Floor _____

Kindly Furnish following requirement in the Lab Area Allotted to your
Department for Provision of the same in Lab.

S. No.	Particulars of Service	Details as required in the Labs
1	Partitions required in the Lab, (Size & Location to be marked on the plan)	
2	Detailed operational Layout of the Equipment / Machines in the Lab with electrical Load Requirement of each Equipment/ Machines	
3	No. Of 6/16 A Power Points required	
4	No. of 3 Phase Power Points	
5	Requirement of UPS Power (No. of 1 Phase & 3 Phase Outlets)	
6	No. of telephone Points	
7	No. of LAN Points	
8	Requirement of Gases like O ₂ , N ₂ , Compressed Air or any Other Gas	
9	Water & Drainage Requirement if Any	
10	Any Other specific Requirement in addition to above	

Date

HOD/ Professor In-charge